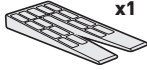
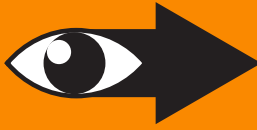


VISION ENERGY



Roof windows for **smart professionals**

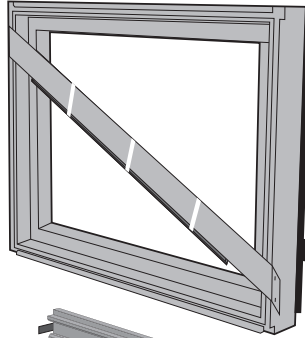
INS-DAK-KAI_404057



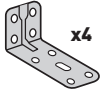
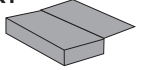
x1



x1



x1



x4



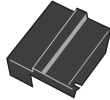
RUC x1



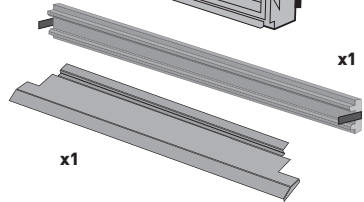
x18



x2



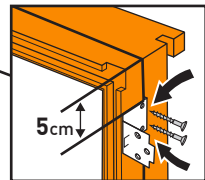
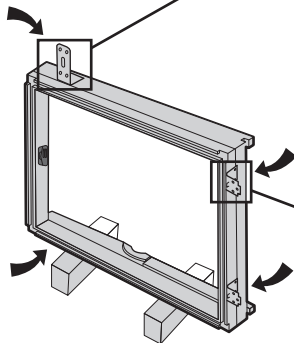
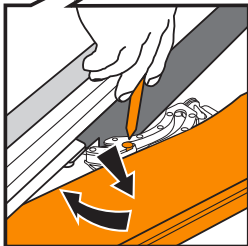
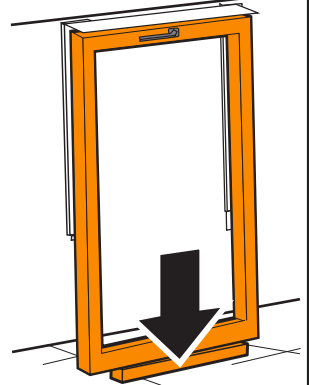
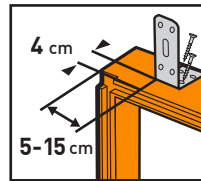
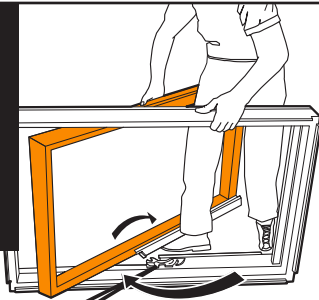
x2



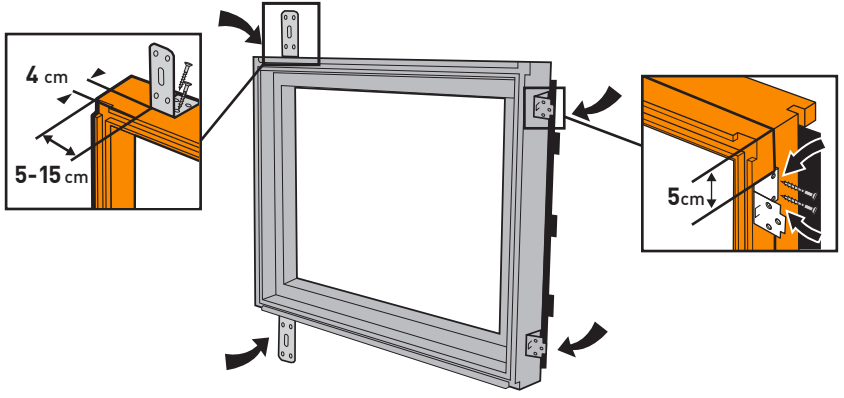
x1

x1

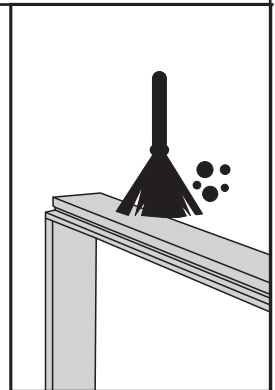
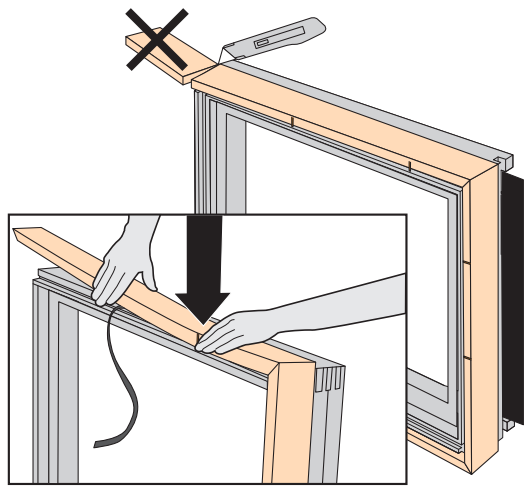
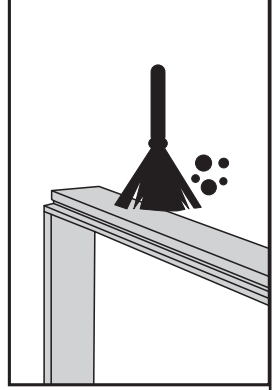
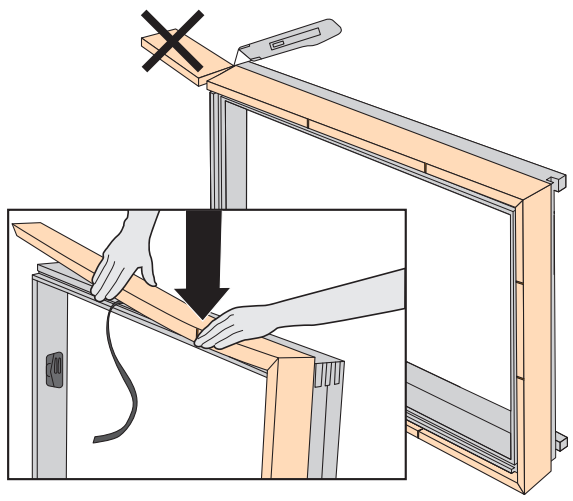
01



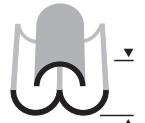
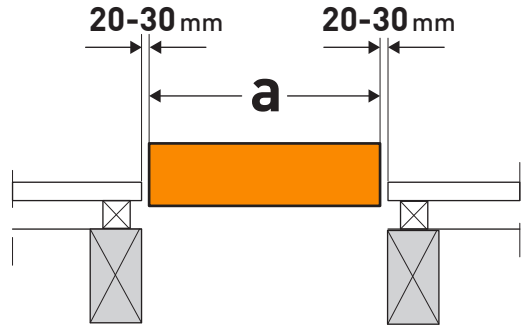
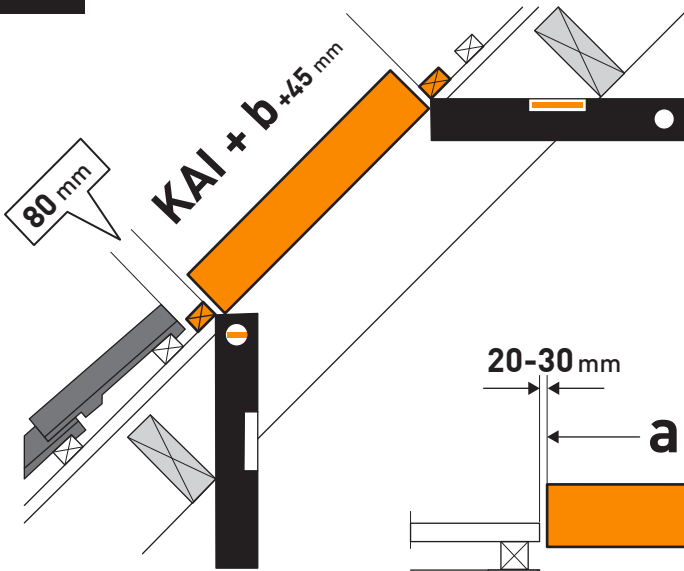
02



03



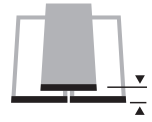
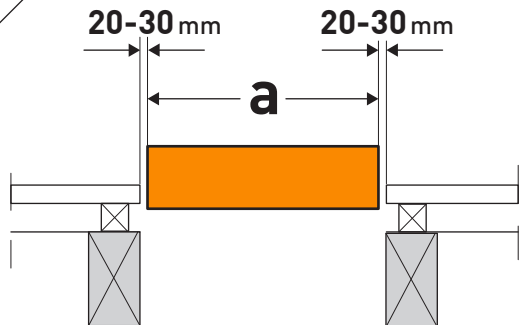
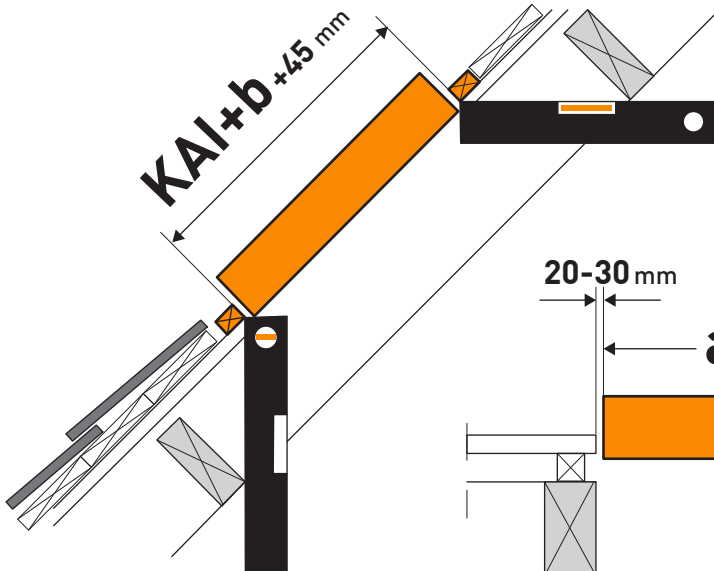
04a



16-120 mm

KUI+KUF

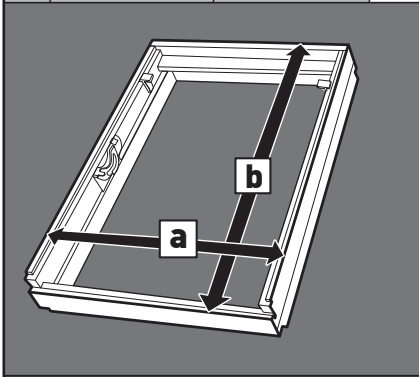
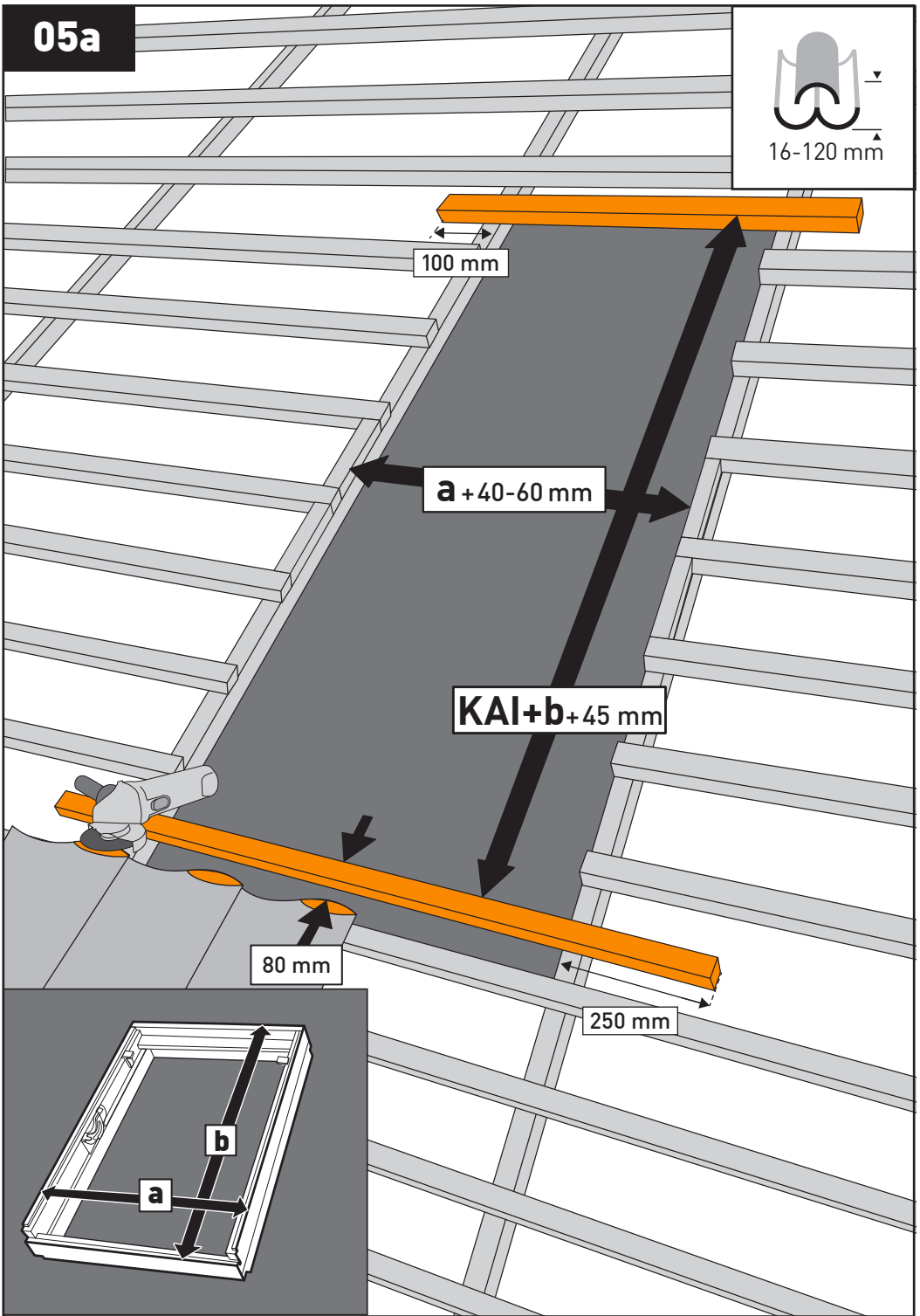
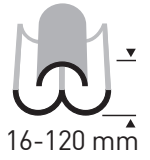
04b



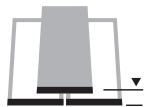
0-16 mm

KSI+KLS

05a



05b

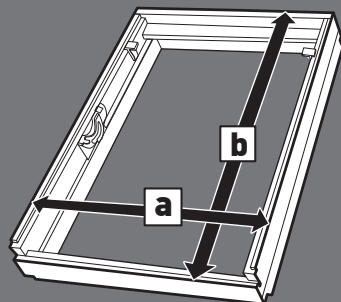


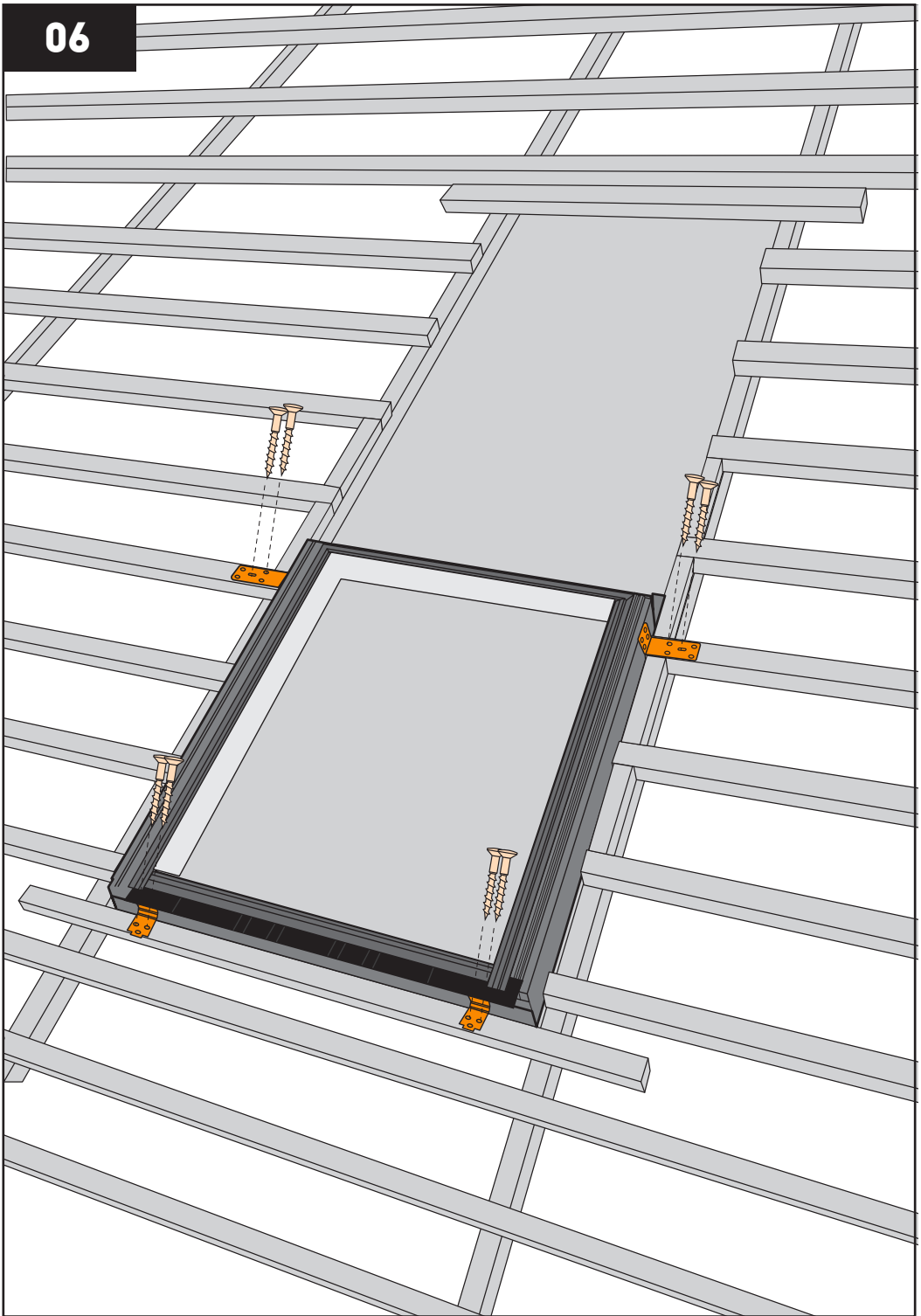
0-16 mm

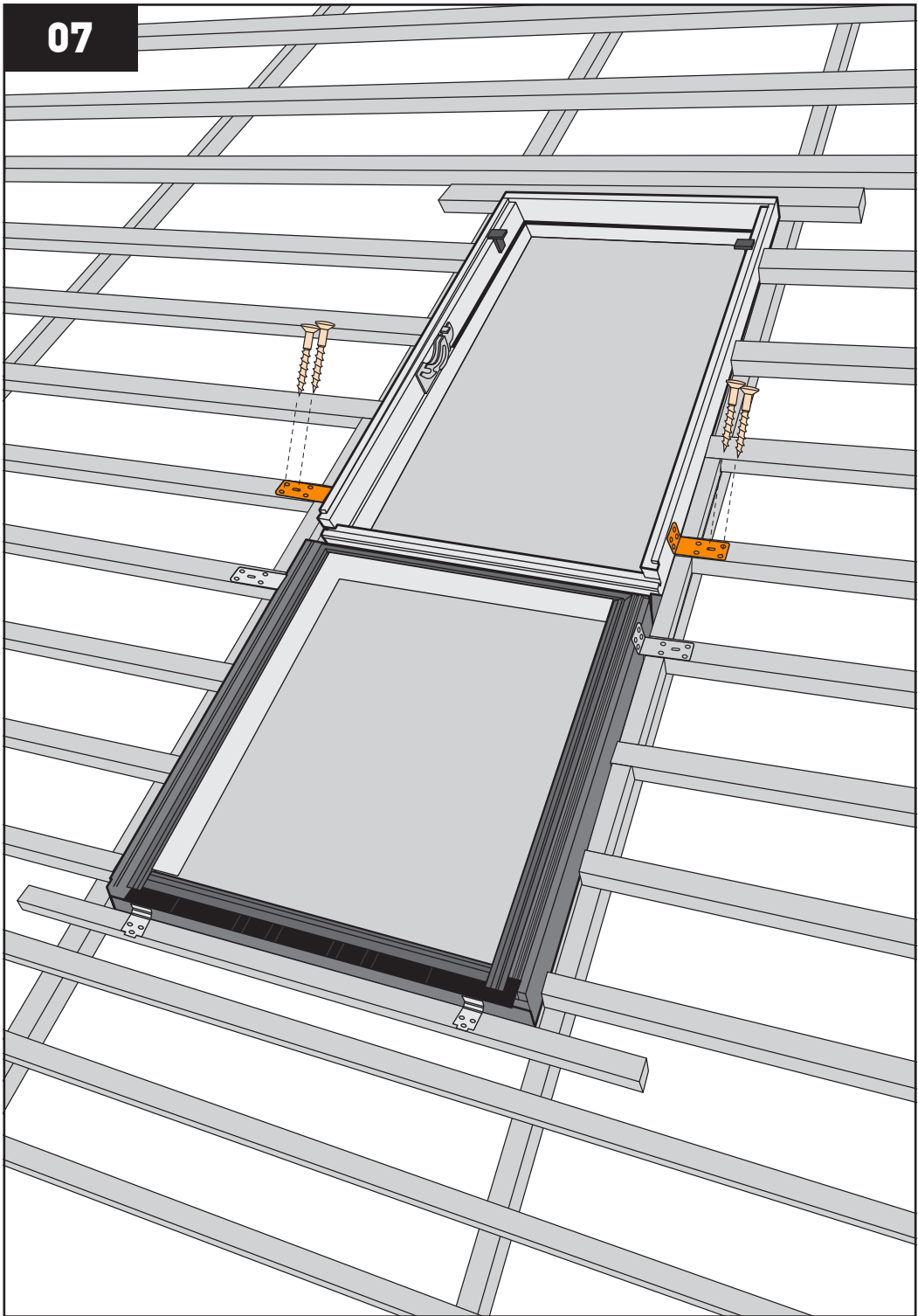
$a + 40-60 \text{ mm}$

$KaI + b + 45 \text{ mm}$

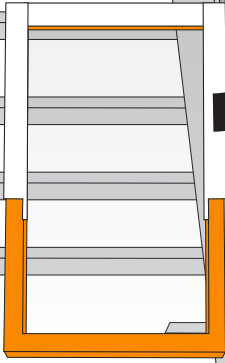
105 mm



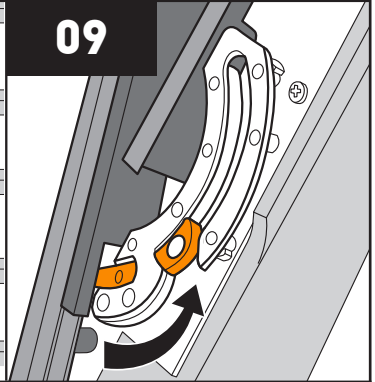
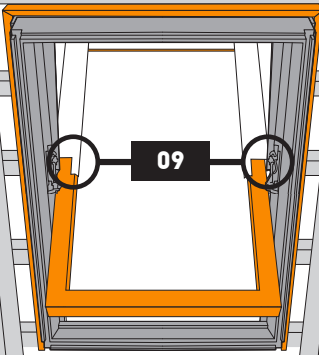




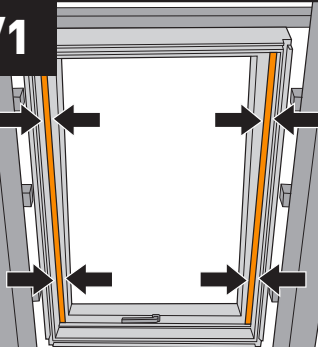
08



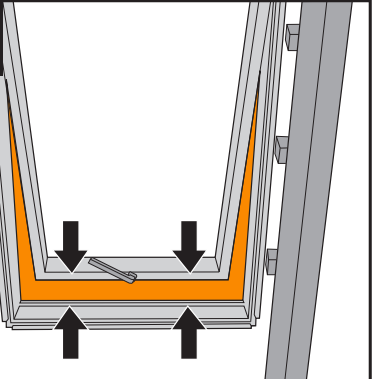
09



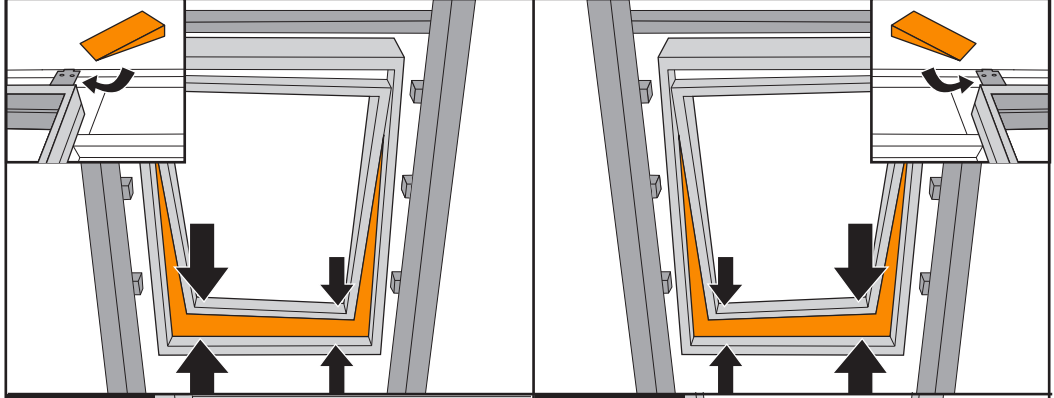
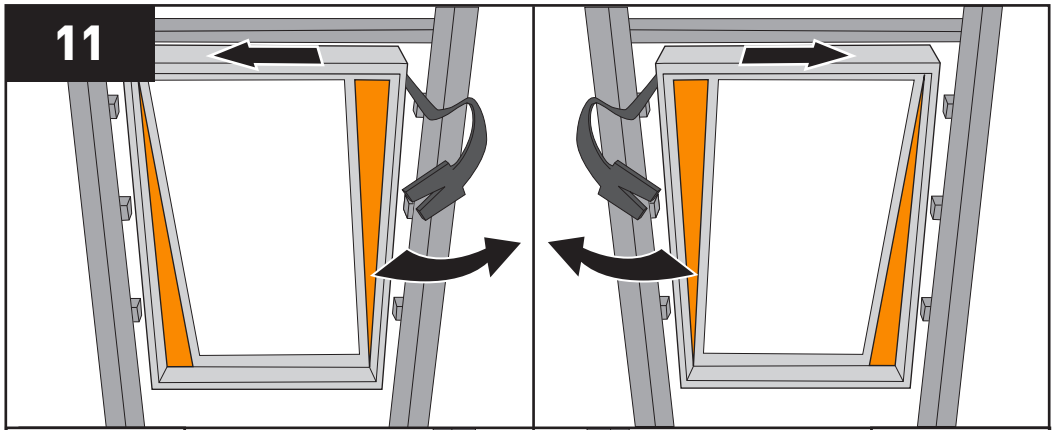
10/1



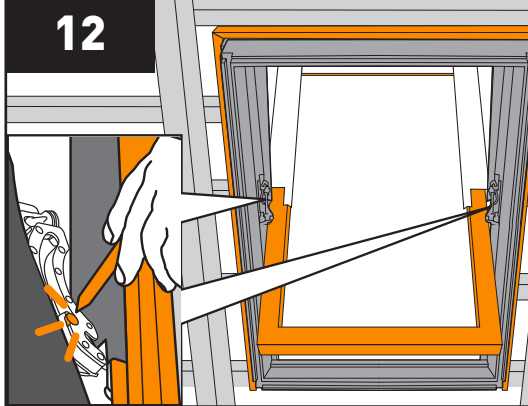
10/2



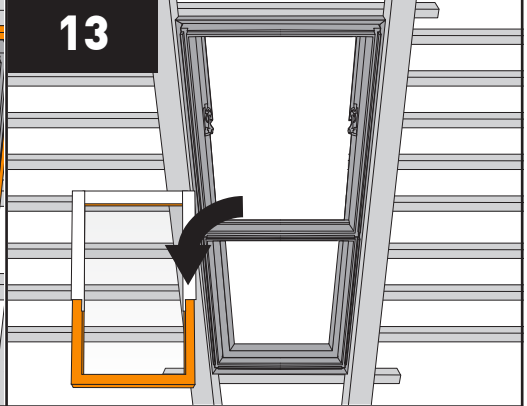
11



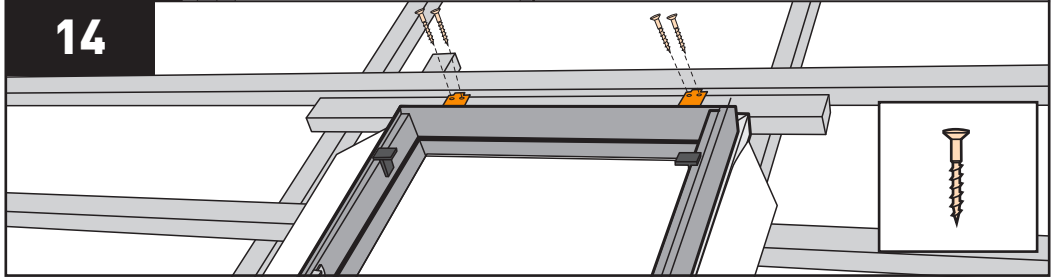
12

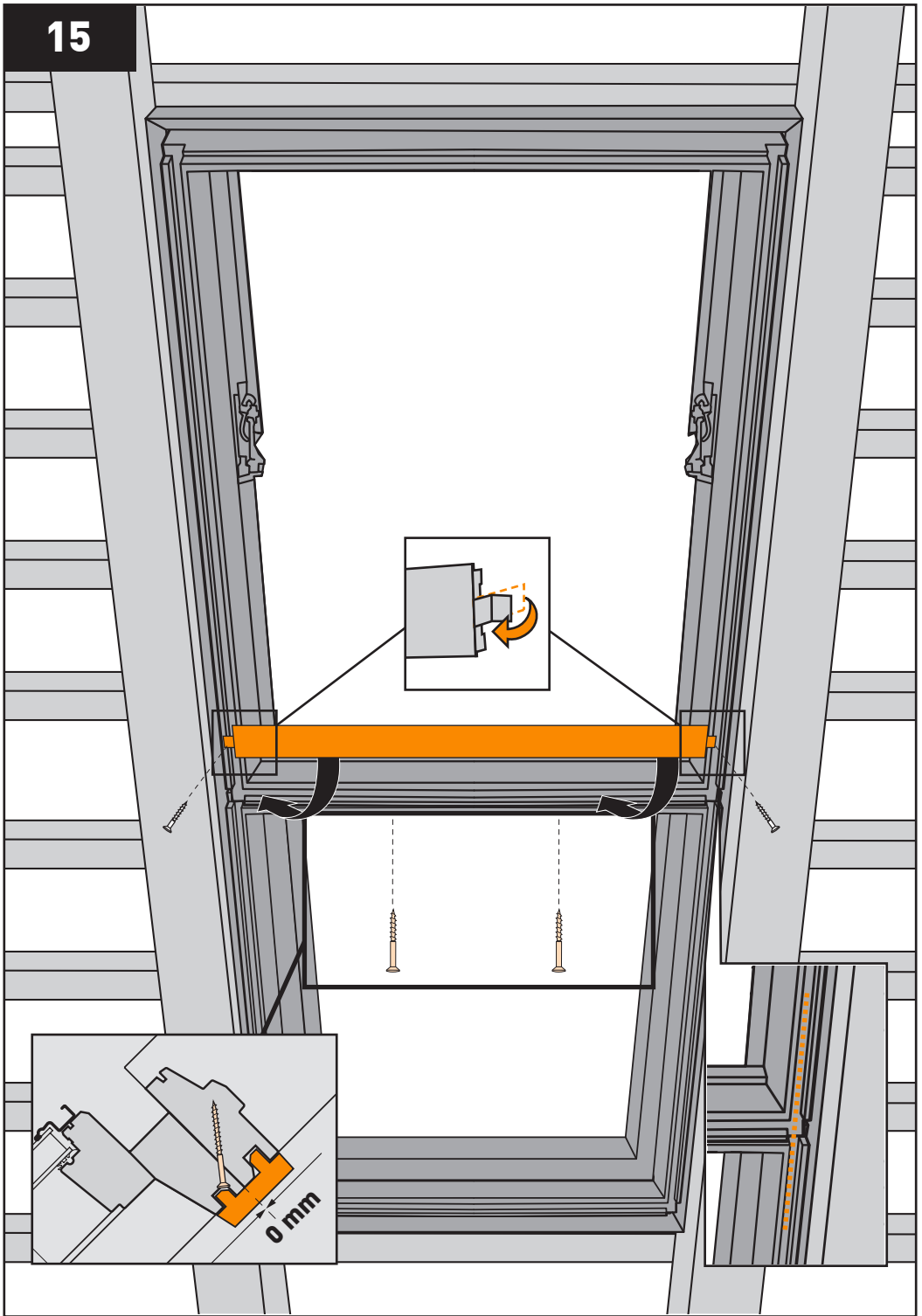


13

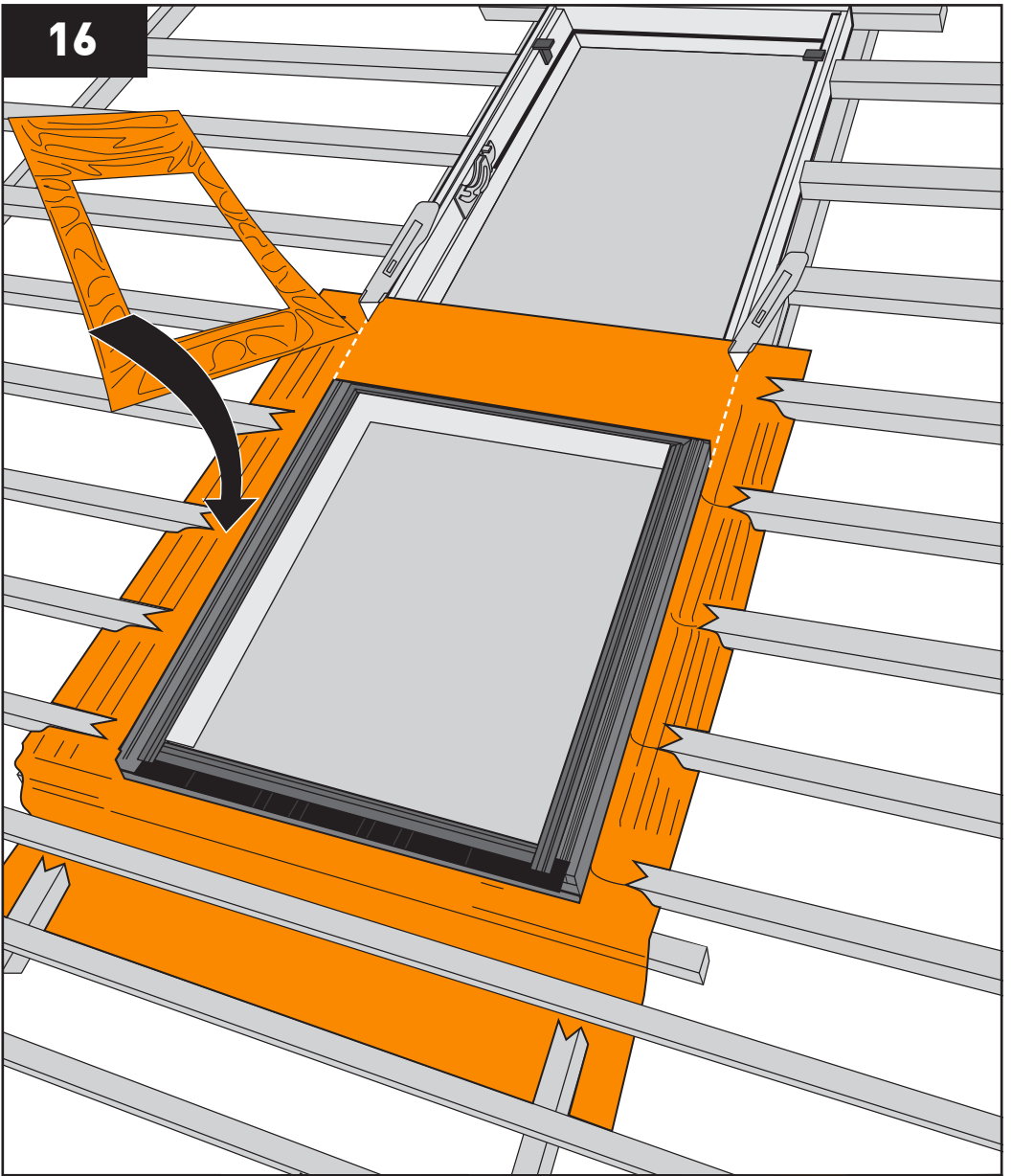


14

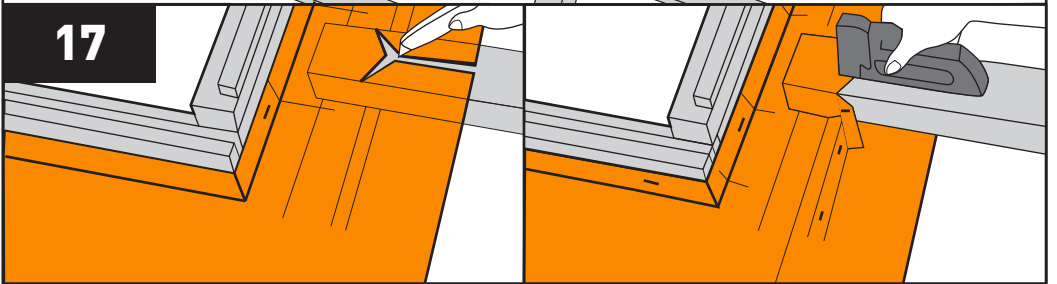




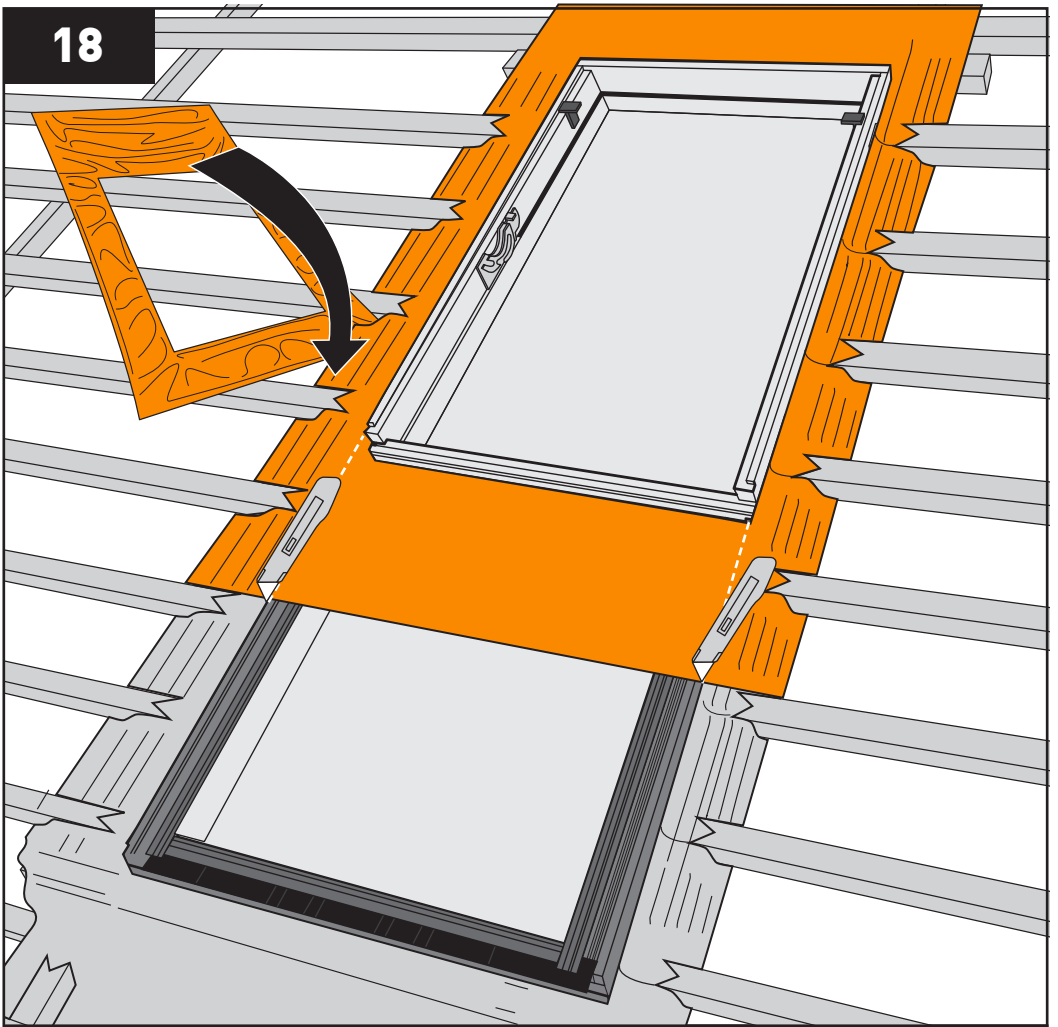
16



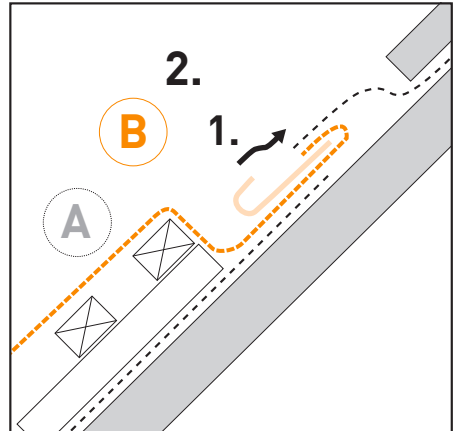
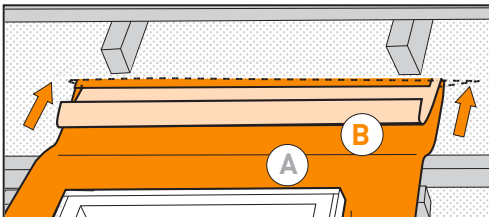
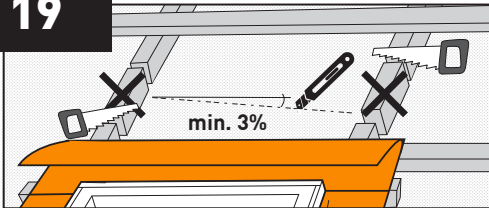
17



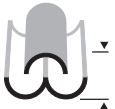
18



19



20a

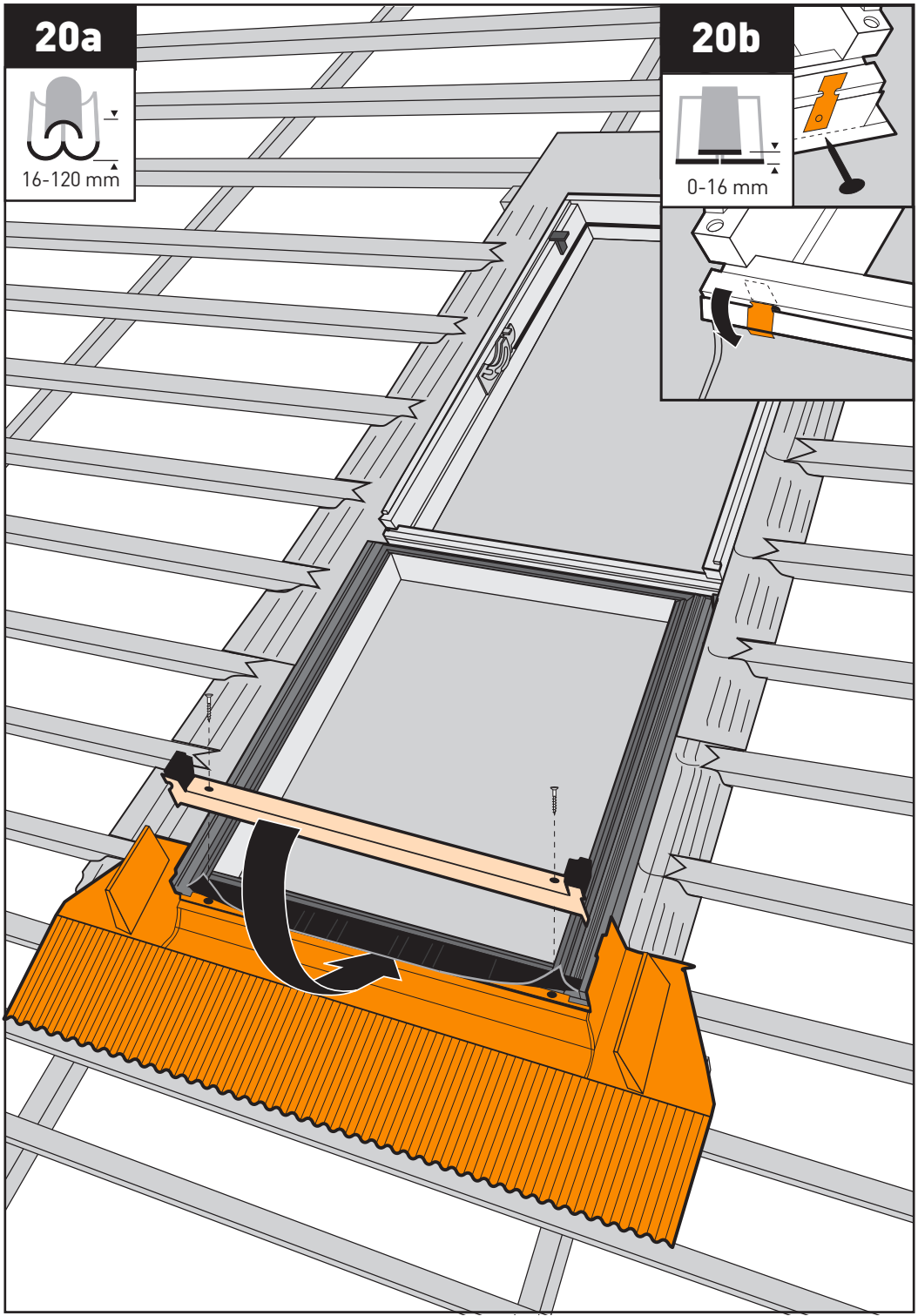
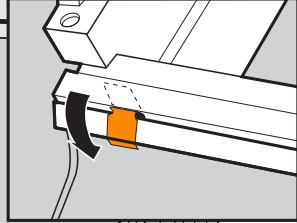


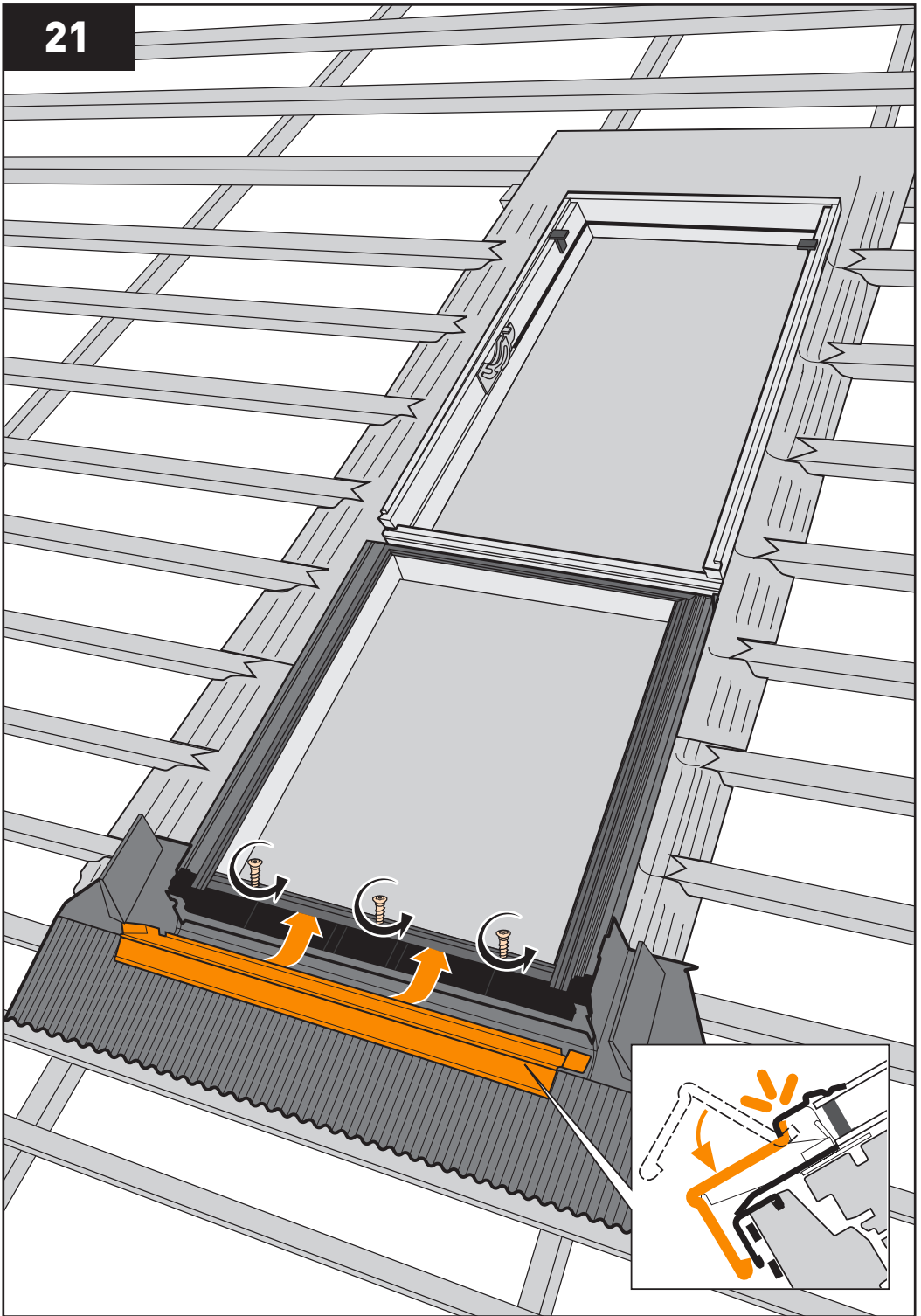
16-120 mm

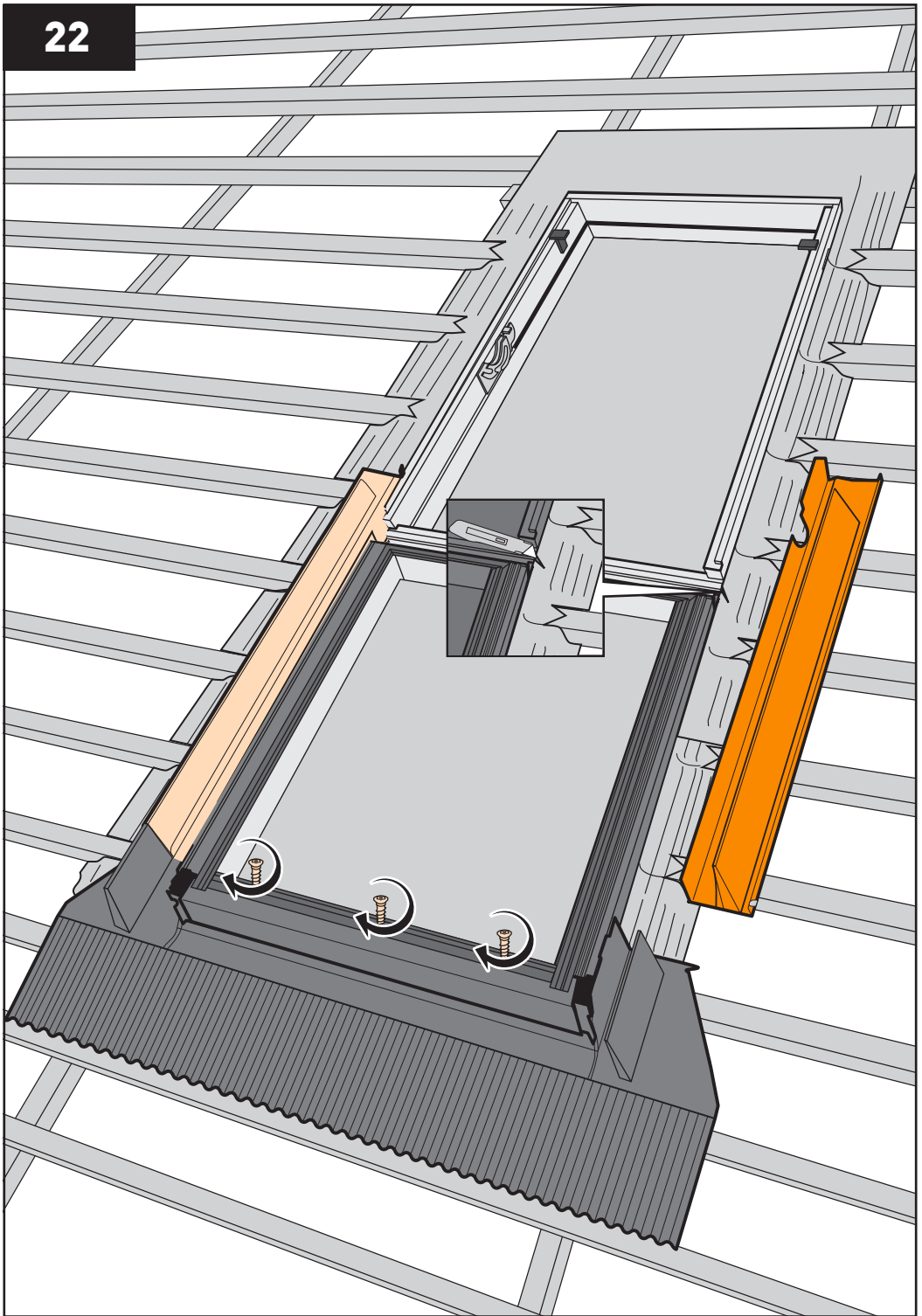
20b

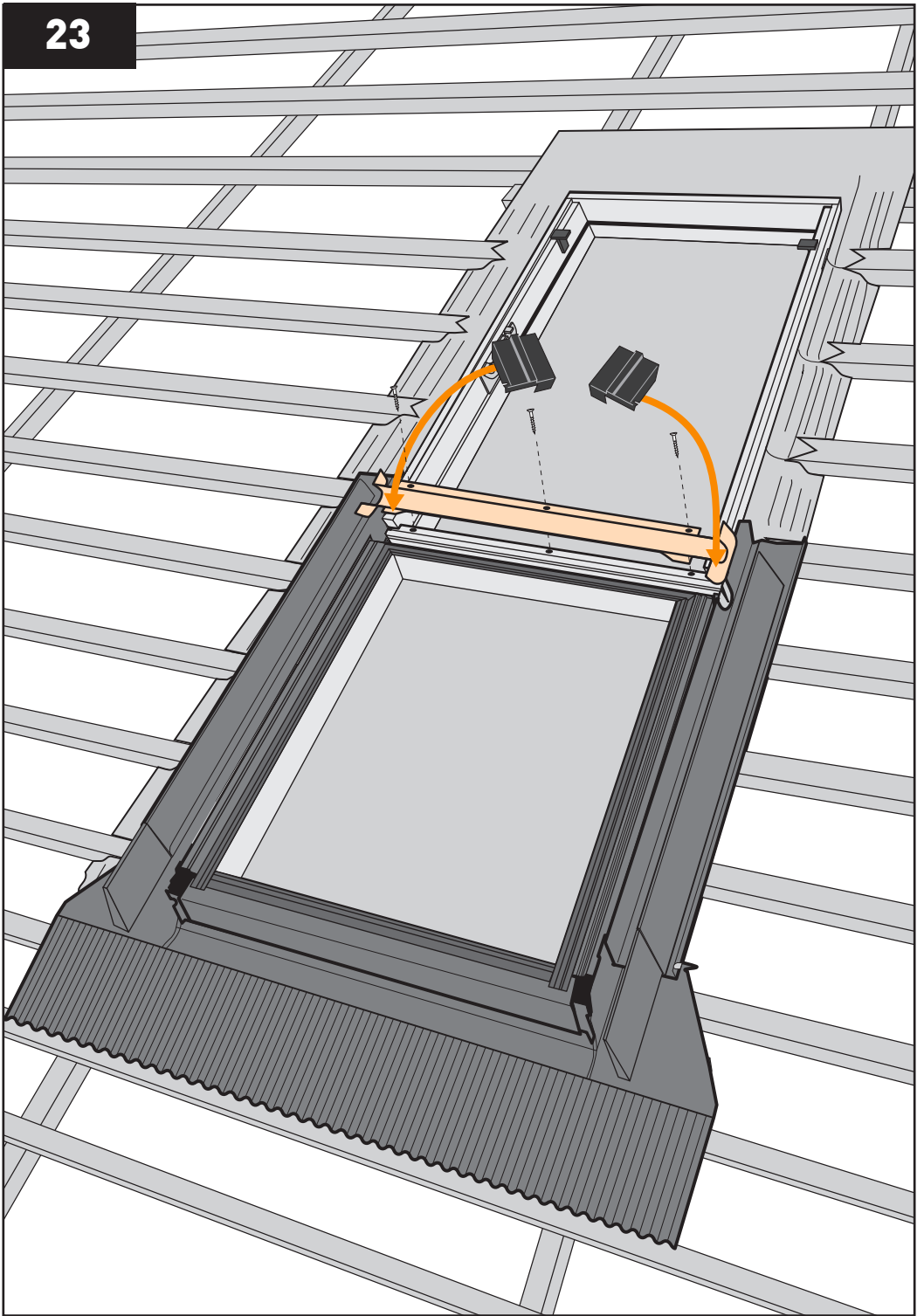


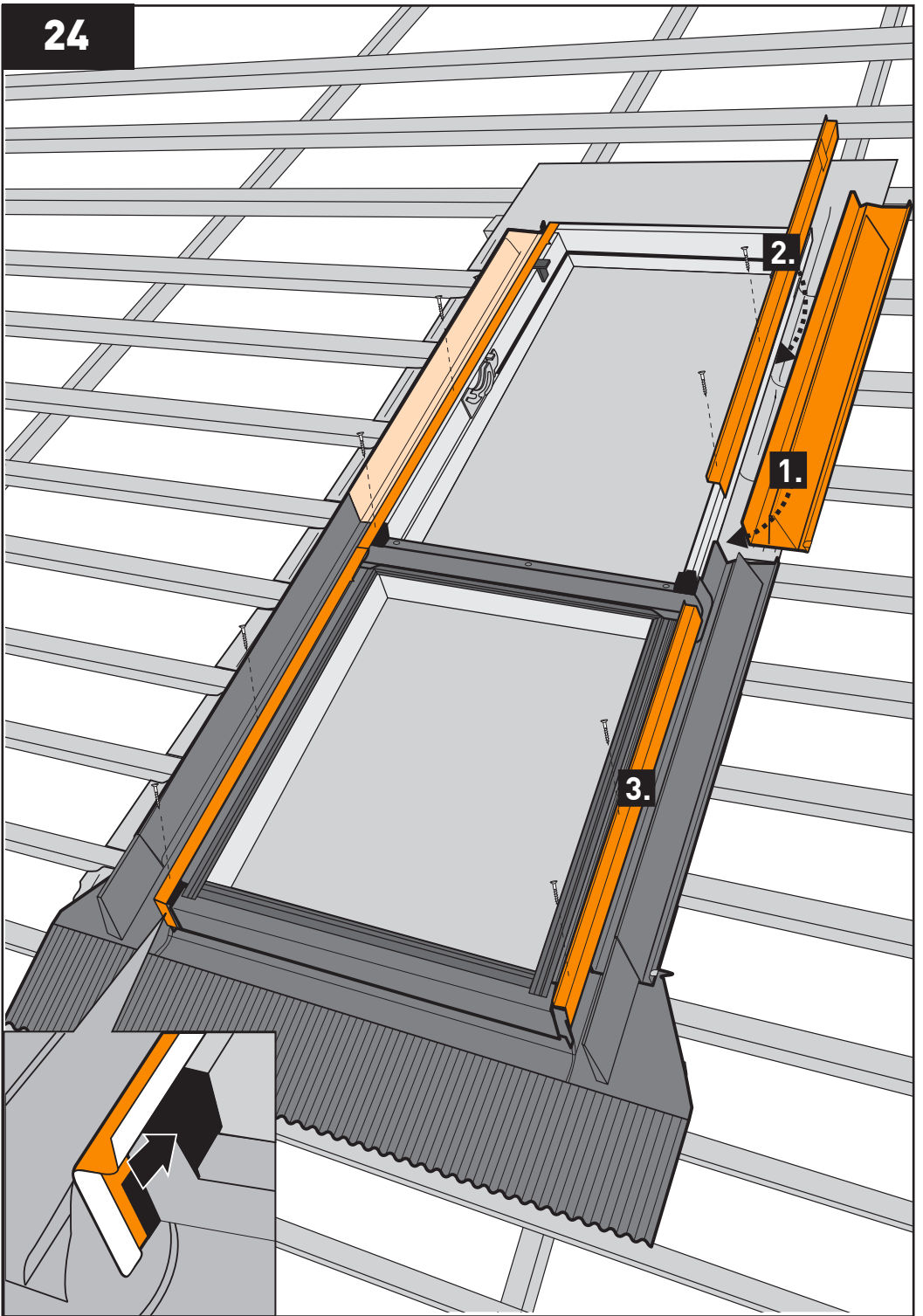
0-16 mm

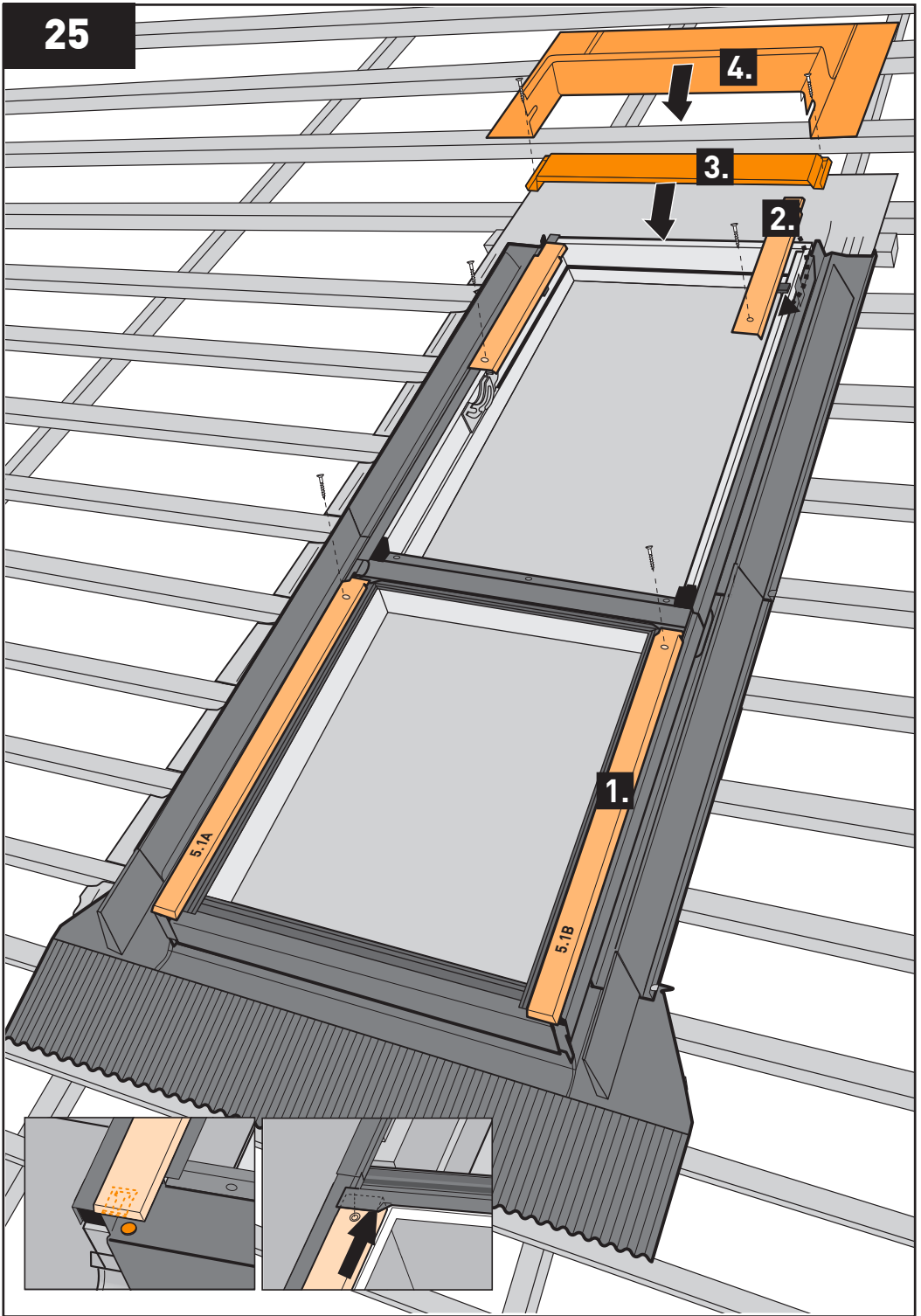


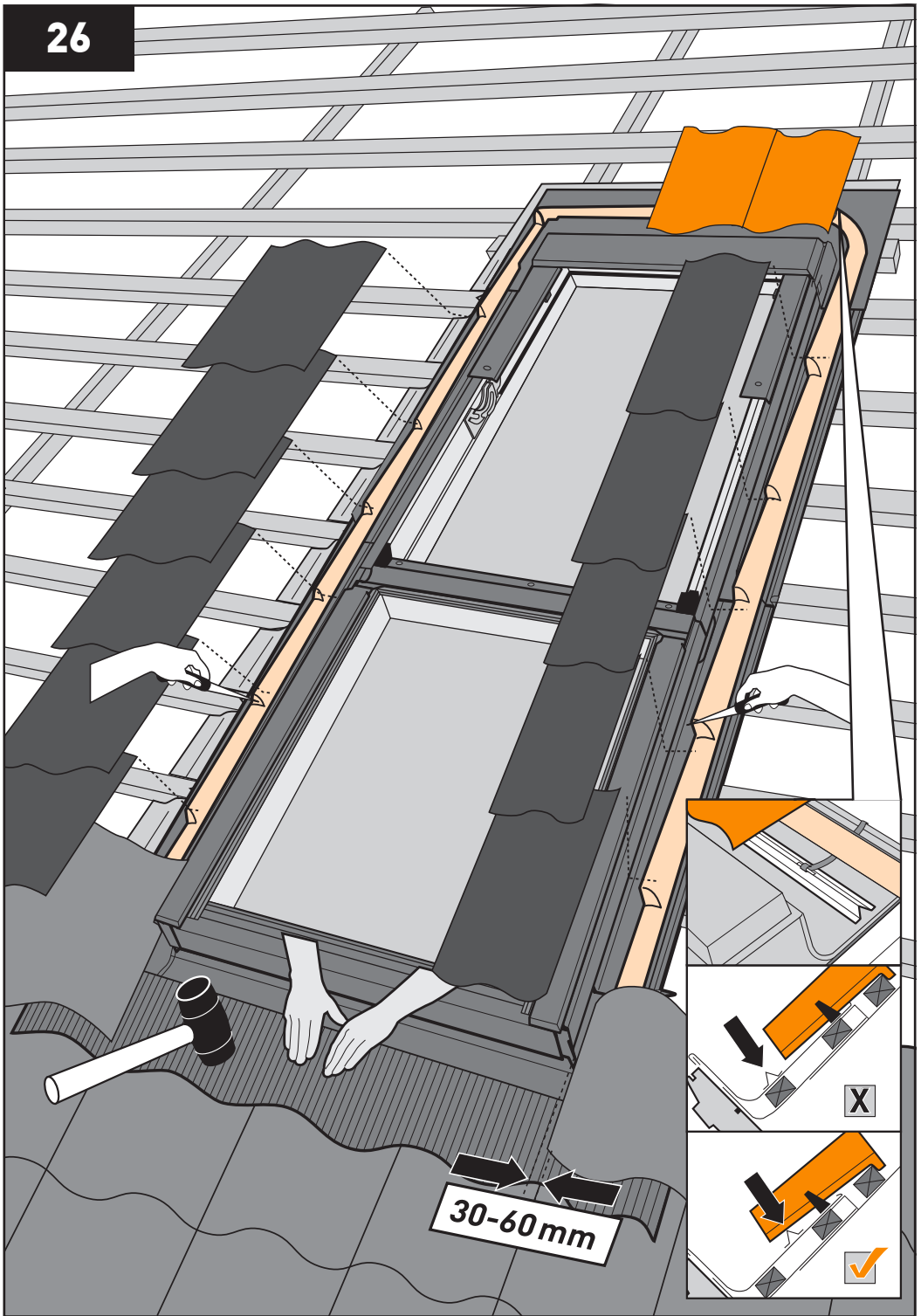






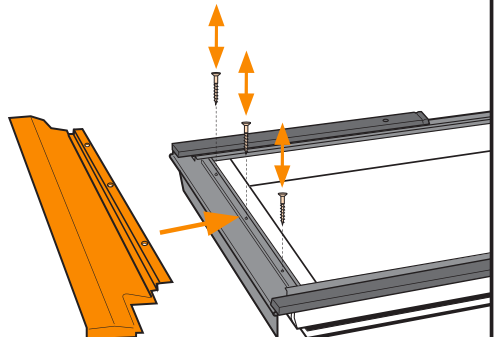
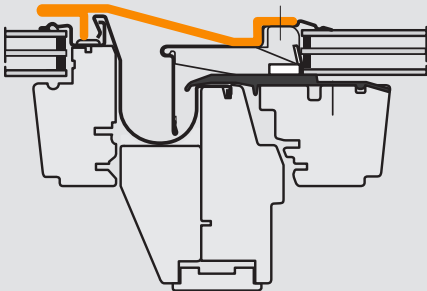
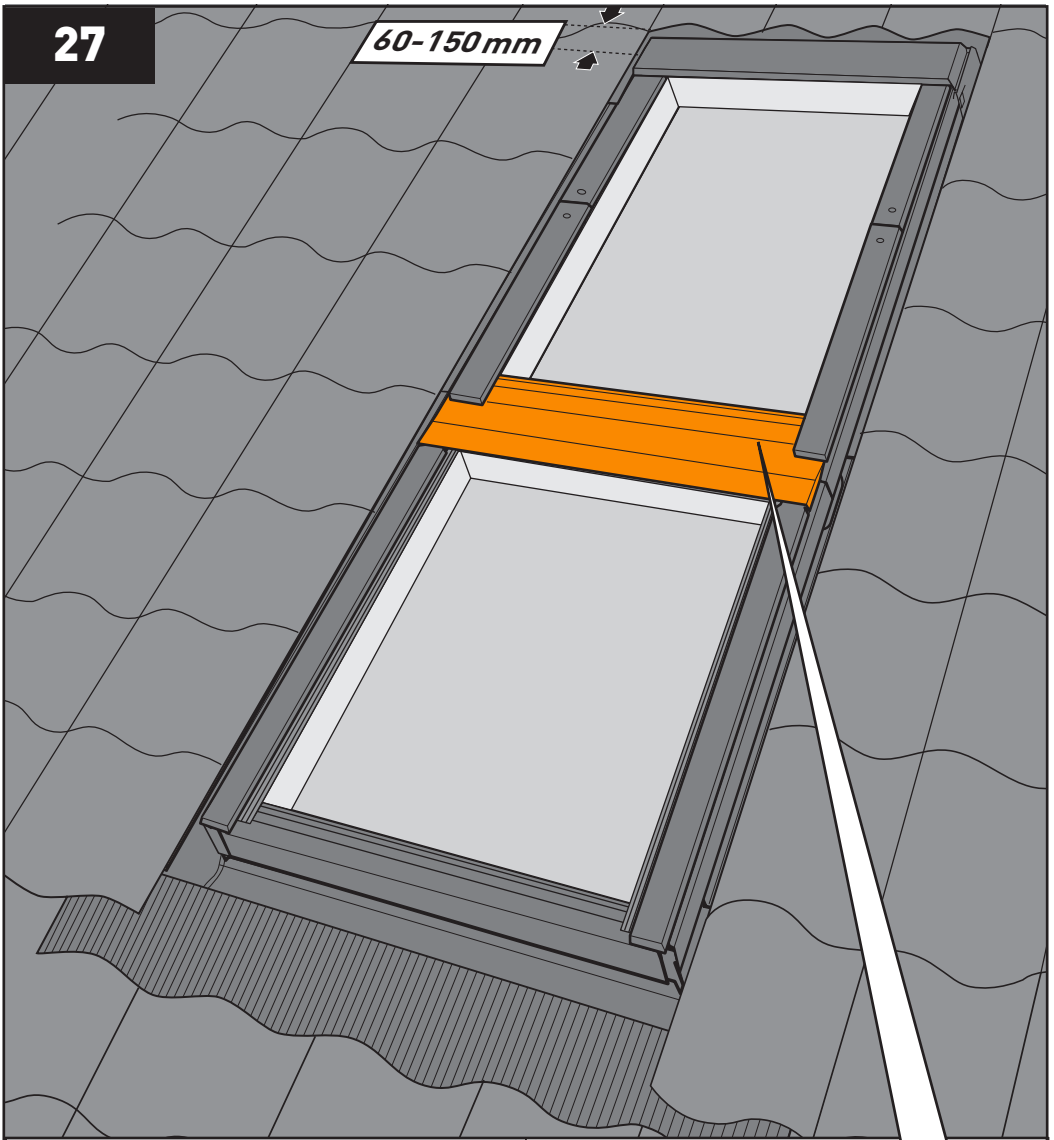


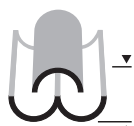




27

60-150 mm

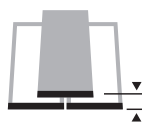




16-120 mm

KUI + KUF

15-90°



0-16 mm

KSI + KLS

15-90°